

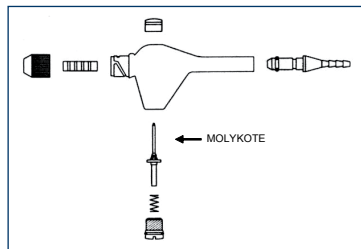
OPERATION

Vacuum pressure of the Aspirator is controlled by the pressure sensitive blue control button, on the top of the hand piece. By means of the plastic screw opposite the control button, the residual suction level can be set, which will prevent drippage of waste liquids from the tip or pipette. The Aspirator is factory pre-set to allow a low level of constant suction; by turning the screw one full turn clockwise, the valve is shut and residual vacuum is stopped.

CLEANING AND SERVICE

The Aspirator is entirely autoclavable. When working with biohazardous material, sterilize the unit before disassembling for cleaning. Please refer to the explosion drawing.

To clean, immerse the pieces in mild laboratory detergent, but do not use abrasives, as a roughened surface may affect the smooth operation of the control valve. Apply a thin coat of MOLYKOTE HP-870 (Dow Corning) lubricant as needed to the control valve to keep the action smooth (arrow).



When working with salt-rich solutions, rinse out the aspirator hand piece with distilled water after use to avoid build-up of dried deposits.

CHEMICAL COMPATIBILITY



Avoid prolonged contact (days or weeks) with:

- concentrated inorganic acids,
- sodium hypochlorite,
- methylene chloride,
- concentrated aldehydes,
- other halogenated hydrocarbons.

Resistant to:

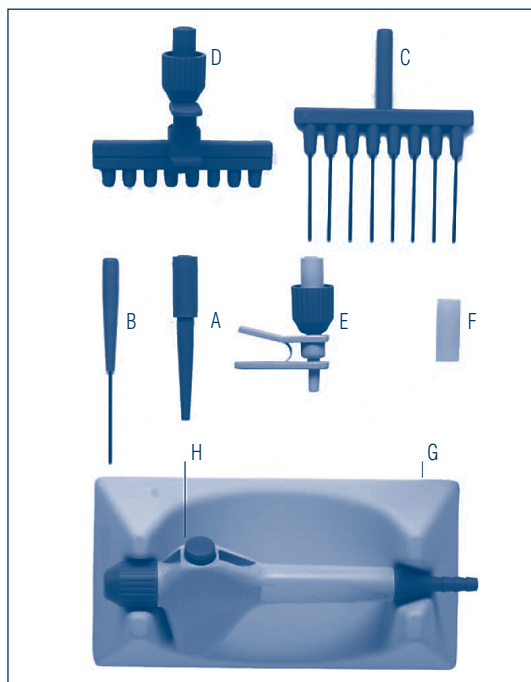
- DMSO,
- ethanol/methanol,
- dimethylformamide,
- acetone.



Flushing the aspirator with ethanol immediately after contact with organic solvent is the best safeguard in all cases.

For O-ring replacement, use Viton O-rings only.

ACCESSORIES AND SPARE PARTS



Gilson Safe Aspiration Kit spare parts/accessories

Part Number

Gilson Safe Aspiration Kit, hand operator (H), aspiration adapters (A, B, C, D, E), rubber adapter for Pasteur pipettes (F), stand for hand operator (G), silicone tubing 1800 mm, silicone grease	F110742
1-channel plastic aspiration adapter for disposable tips (A)	F1077420
1-Channel stainless steel aspiration adapter 40 mm (B)	F1077421
8-Channel stainless steel aspiration adapter 40 mm (C)	F1077424
8-Channel plastic aspiration adapter for disposable tips with ejector (D)	F1077426
1-Channel plastic aspiration adapter for disposable tips with ejector (E)	F1077427
Rubber adapter for Pasteur pipettes (F)	-
Stand for hand operator (G)	-